




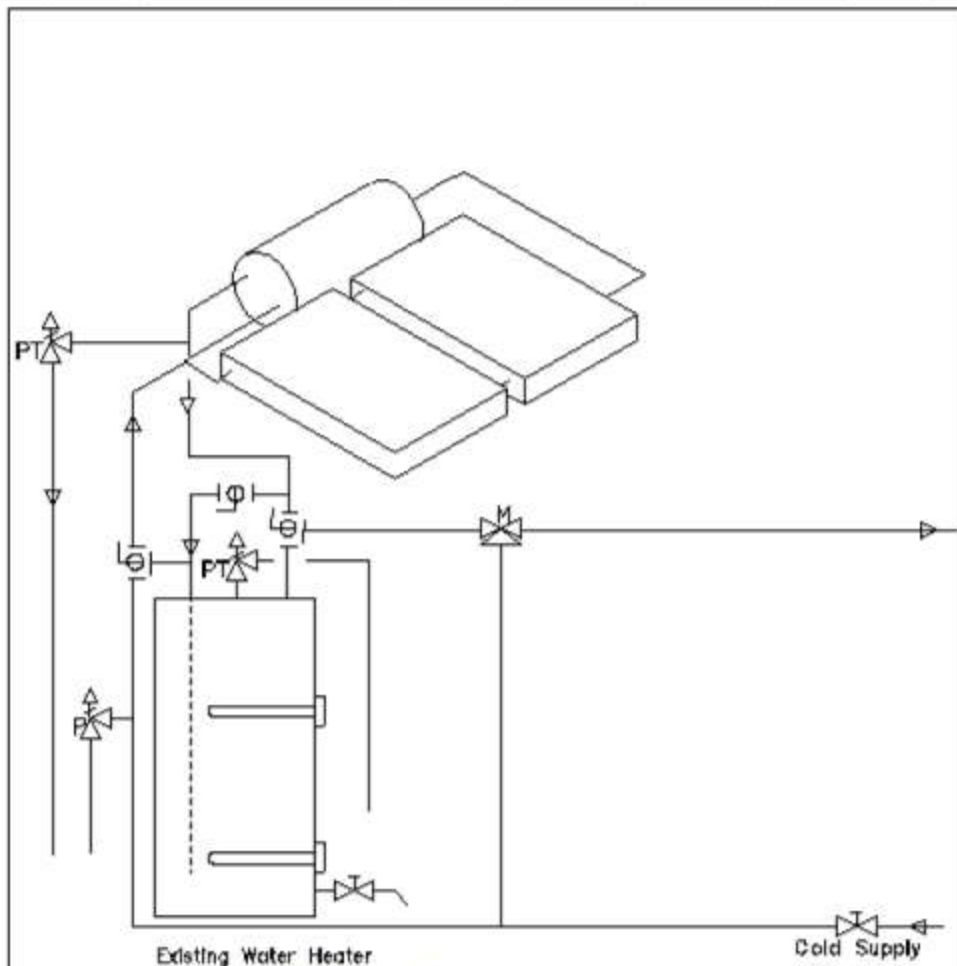
SOLAR RATING AND CERTIFICATION CORPORATION

Independent Certification of Solar Water and Swimming Pool Heating Collectors and Systems

| | |
|--|--|
| <p>SOLAR WATER HEATING CERTIFICATION AND RATING</p>  <p>SRCC OG-300</p> | <p>CERTIFIED SOLAR WATER HEATING SYSTEM</p> <p>SUPPLIER: Ezinc Metal Sanayi ve Ticaret A.S. Organize Sanayi Bolgesi 23.Cad No: 31 Kayseri, TR-38070 Turkey (+90) 352 3211776 (+90) 352 3211325 Fax</p> <p>SYSTEM NAME: Ezinc Thermosiphon Solar Water Heater</p> <p>SYSTEM TYPE: Indirect Thermosyphon</p> <p>LOCATION: <input type="text" value="Select Location"/></p> |
|--|--|

Description: , No Controller, No Supply Side Heat Exchanger , No Load Side Heat Exchanger , Freeze Tolerance: -40 F, Fluid Class II, Electric Auxiliary Tank **Collector Certification is based on a System Test.**

| System Model_name | Cert 300# | Cert Date | Collector Panel Manufacturer | Collector Panel Name | Total Panel area(Sq-m) | Total Panel area(Sq-ft) | Solar Tank Vol(l) | Solar Tank Vol(g) | Aux Tank Vol(l) | Aux Tank Vol(g) | SEF |
|-------------------|-----------|-----------|------------------------------------|----------------------|------------------------|-------------------------|-------------------|-------------------|-----------------|-----------------|-----|
| KG-300 | 2009002B | 04-FEB-10 | Ezinc Metal Sanayi ve Ticaret A.S. | Superline L | 4.5 | 48.9 | 288 | 76 | 189 | 50 | 2.1 |



OG-300 System Reference:2009002B [SVG Diagram Display](#)

SOLAR RATING CORPORATION

AWARD OF SOLAR WATER HEATING SYSTEM CERTIFICATION

The solar water system listed below has been evaluated by the Solar Rating and Certification Corporation (SRCC) in accordance with SRCC Document OG-300, *Operating Guidelines and Minimum Standards for Certifying Solar Water Heating Systems*, and has been certified by the SRCC as meeting the minimum standards for testing, installation, operation, and maintenance, performance, reliability and safety as specified in SRCC Document OG-300. Thermal performance ratings based on the successful durability and performance testing of a sample unit, where said tests have been conducted by an independent laboratory accredited by the SCRR and the balance of the system have been modeled using TRNSYS, a computer simulation code developed by the University of Wisconsin.

System Certification Number: 300-2009002B

SOLAR ENERGY FACTOR = 2.1

Dated Certificate: 04-FEB-10

Expiration Date: 21-OCT-21

System Type: IT

Supplier: **Ezinc Metal Sanayi ve Ticaret A.S.**
Organize Sanayi Bolgesi 23. Cad No: 31
Kayseri, TR-38070 Turkey
(+90) 352 3211776

System Brand: Ezinc Thermosiphon Solar Water Heater System Model: KG-300

Description: , No Controller, No Supply Side Heat Exchanger , No Load Side Heat Exchanger , Freeze Tolerance: -40 F, Fluid Class II, Electric Auxiliary Tank

Collector Model Options

| Company | Brand | Model | Gross Area (m ²) | Gross Area (ft ²) |
|------------------------------------|-------|-------------|------------------------------|-------------------------------|
| Ezinc Metal Sanayi ve Ticaret A.S. | Ezinc | Superline L | 4.54 | 48.87 |

| RATING PARAMETERS | TERM | SI Units | Inch-Pound Units |
|-------------------------------------|-------|------------------------------|--------------------------------|
| System Set Temperature | Tset | 57.2 C | 135 F |
| Environmental Temperature | Tenv | 19.7 C | 67.5 F |
| Ambient Temperature Profile Average | Tamb | 14.4 C | 58 F |
| Waters Mains Temperature | Tmain | 14.4 C | 58 F |
| Delivered Load | Qdel | 43.3 MJ/day | 41,045 Btu/day |
| Solar Irradiance | It | 4,733 Wh/m ² -day | 1,500 Btu/ft ² -day |

This award of certification is subject to all terms and conditions of the Program Agreement and the documents incorporated therein by reference. It must be renewed annually. Any change in collector design, materials, specifications, parts, or construction must be reported to SRCC for evaluation of continued certification.


Technical Director

February 04, 2010



OG-300 SRCC SYSTEM CERTIFICATION