



Approved Solar Energy System

Approval Date: July 2009
Modification Date: October 2011

FSEC# S00158E

DISTRIBUTOR	SYSTEM
Energy Laboratories, Inc. 5191-A Shawland Road Jacksonville, Florida 32254	IDS8064

This system was evaluated by the Florida Solar Energy Center (FSEC) in accordance with the Florida Standards Program for Solar Domestic Water and Pool Heating Systems (FSEC Standard 104-05) and was found to meet the minimum standards established by FSEC.

	North	Central	South
The calculated Florida Energy Factors for this system are:	3.1	4.0	4.1

DESCRIPTION

Collector Manufacturer	Model Number	Units	Total Rating (Btu)
1. Alternate Energy Tech.	AE-32	2	55,500
2. Sunearth, Inc.	EP-32	2	56,000
3. Solene	SLCR-32	2	56,000
4. Ezinc Metal Sanayi ve Ticaret A.S.	Superline XXL USB	2	56,800

Tank Manufacturer	Model Number	Capacity (gal)	Type: Direct
1. Bradford White	MS80R6SS	80	
2. Lochnivar	FTA082K	82	
3. American	SE62-80H-045S	80	
4. AO Smith	SUN-80	80	
5. Rheem	81VR80-1	80	
6. Rheem	81VR80TC-1	80	

Pump Manufacturer	Model Number	Power Draw (Watts)	Rated Power
1. TACO Inc.	TACO 009B	161	1/8
2. TACO Inc.	TACO 003B	49.5	1/40
3.			
4.			

Controller Manufacturer	Model Number	Type: Differential
1. STECA	TR0301U	
2.		
3.		

Freeze Protection

1. Drain-back or draindown
- 2.

Other Major Components

1. Heat exchanger: GEA PHE Systems NA, Inc. model FG5x12-10
- 2.





Approved Solar Energy System

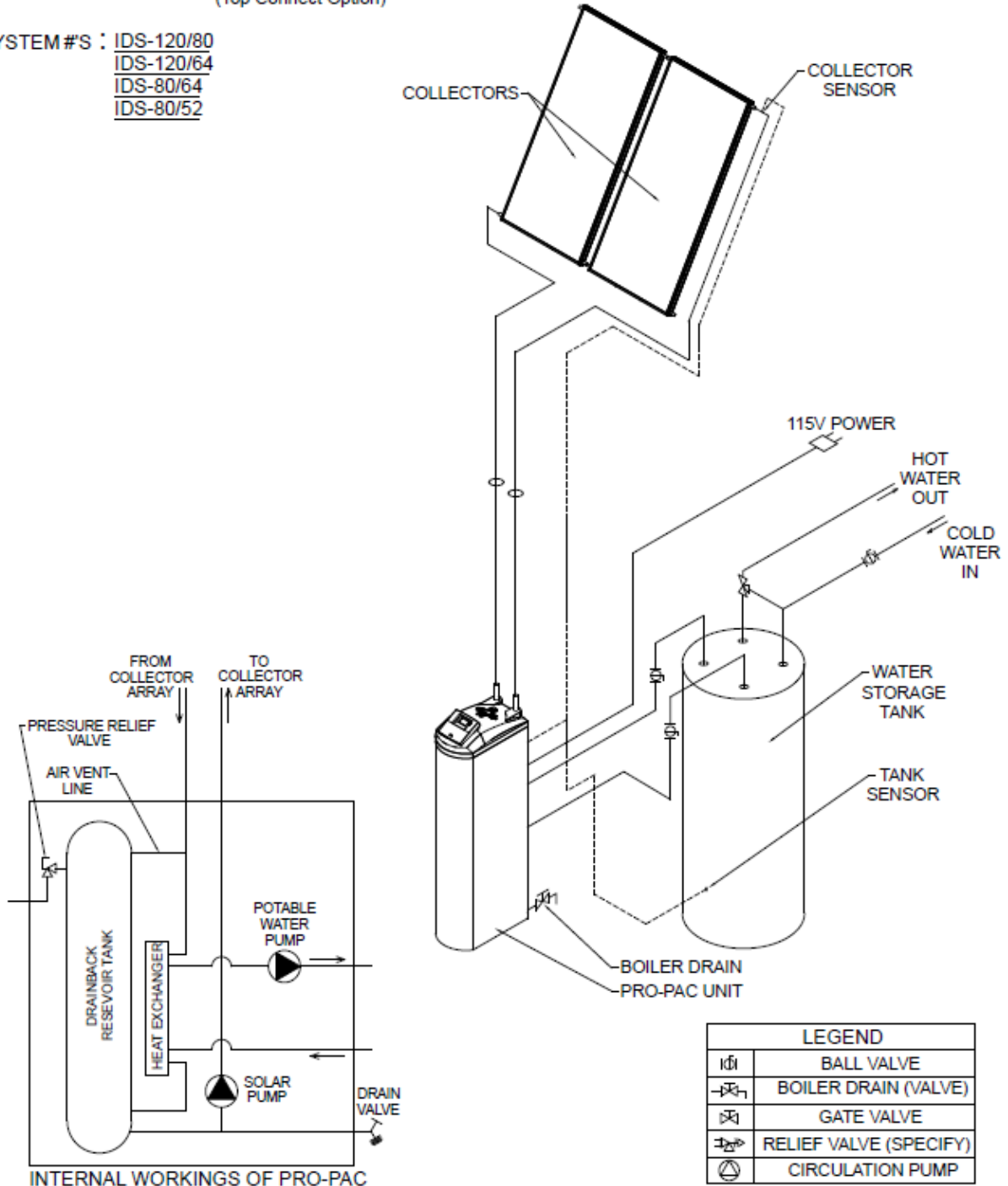
FSEC# S00158E

Approval Date: July 2009
Modification Date: October 2011

SYSTEM SCHEMATICS FOR ENERGY LABS PROPAC DOMESTIC SOLAR WATER HEATING SYSTEMS

(Top Connect Option)

SYSTEM #S : IDS-120/80
IDS-120/64
IDS-80/64
IDS-80/52



LEGEND	
	BALL VALVE
	BOILER DRAIN (VALVE)
	GATE VALVE
	RELIEF VALVE (SPECIFY)
	CIRCULATION PUMP

