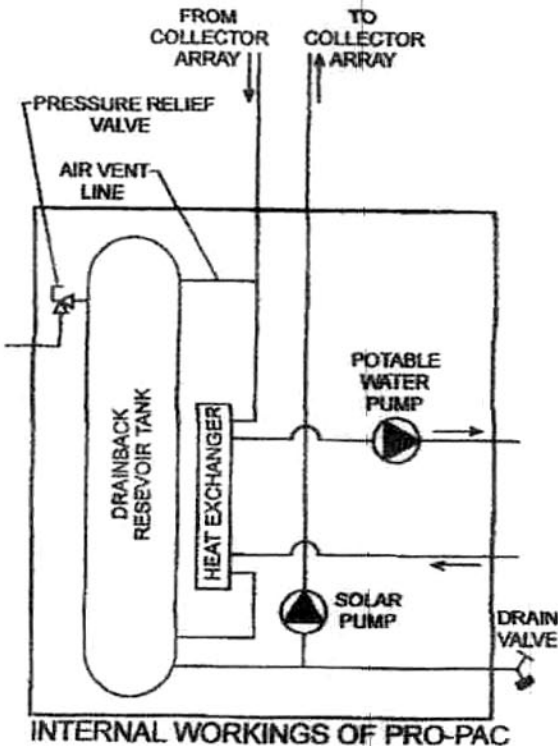
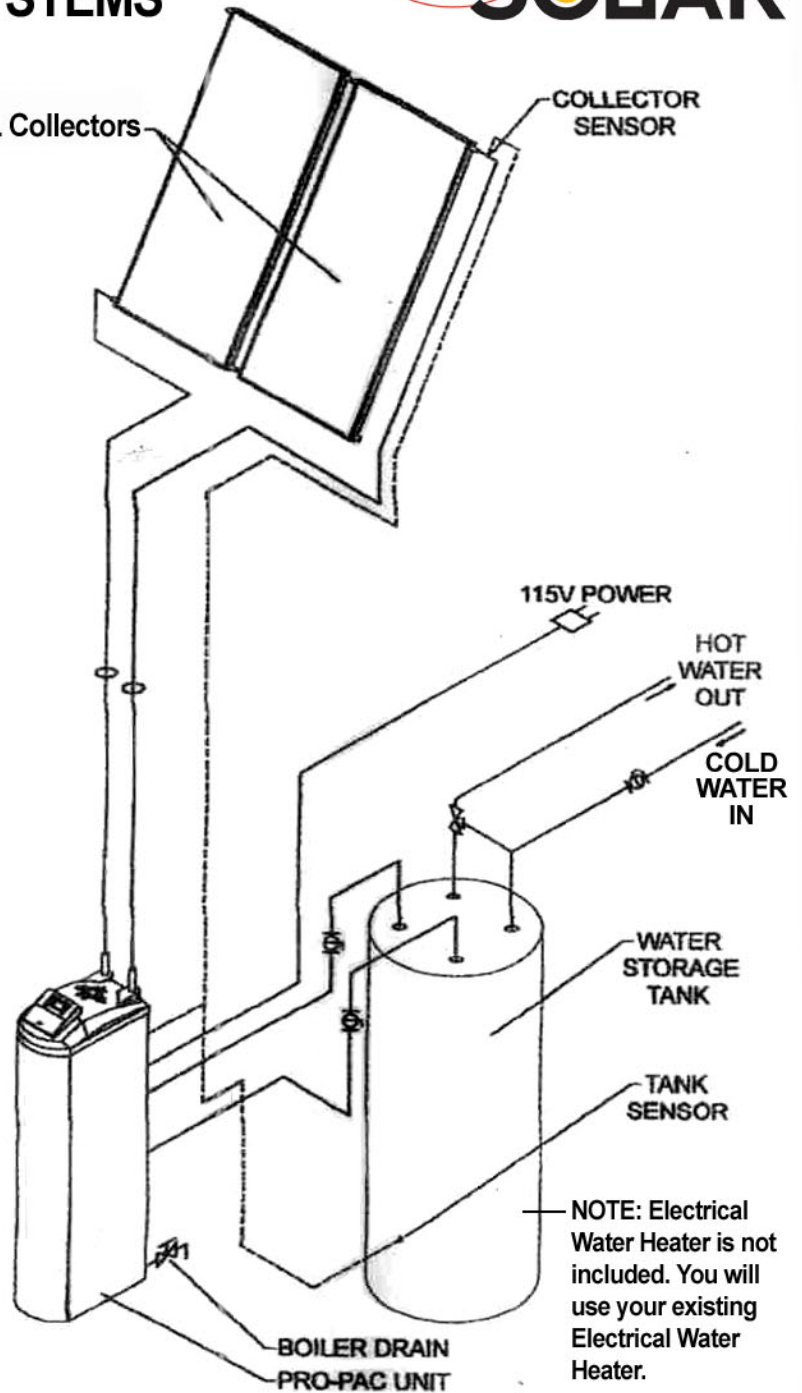


SYSTEM SCHEMATICS FOR PROPAC INTEGRATED DRAINBACK SOLAR WATER HEATING SYSTEMS



4'x6.5' Ezinc Superline L Collectors



LEGEND	
	BALL VALVE
	BOILER DRAIN (VALVE)
	GATE VALVE
	RELIEF VALVE (SPECIFY)
	CIRCULATION PUMP